

GCM-5A10N32 (3 channels NO & 2 channels NC)



Description

GCM-5A10N32 is applied by PLC or controller to switch the High-current Device. And with excellent isolate protection, the module can prevent PLC and controller is damaged by electronic interference.

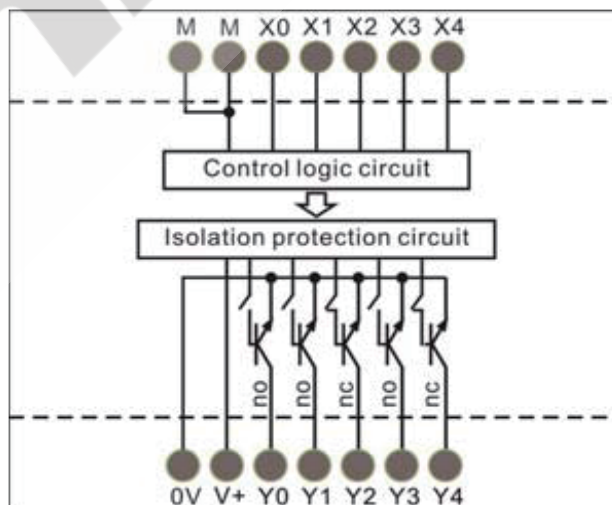
Features

- ▶ High isolation voltage (3750Vrms)
- ▶ Low forward voltage drop (less than 40mVDC at Load current is 1A , 70mVDC
- Maximum operating frequency can be increased to 100kHz
- ▶ Both NPN and PNP input type can be applied
- ▶ Every channel can be paralleled to multiply the load current

Technical Data

Input	
Nominal voltage	12~24VDC
Nominal operating current	6mA
Min. Nominal voltage	11VDC
Input type	NPN or PNP
Output	
Nominal switching capacity (resistive load)	5A 24VDC @ 25 °C
Max. switching voltage	30VDC
Max. Continuous current	5A
Pulsed Current	40A
Forward Voltage Drop	≤40mV @ 1A; ≤200mV @5A;
Maximum Off-State Leakage Current	≤0.1mA
Electrical characteristics /	
Isolation voltage	3750Vrms @ AC, 1min., R.H. ≤ 60% 10000Vrms @ AC, 1sec, in oil
Switch frequency	100kHz
Status Indicating Display	Green LED
Conditions	
Ambient Operating Temperature Range	20 °C to 80 °C
Ambient Storage Temperature Range	40 °C to 100 °C

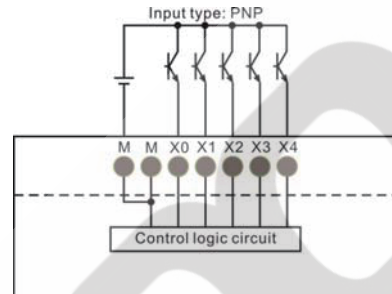
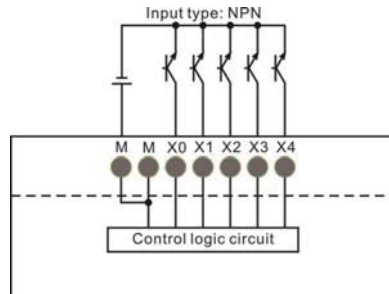
Block diagram



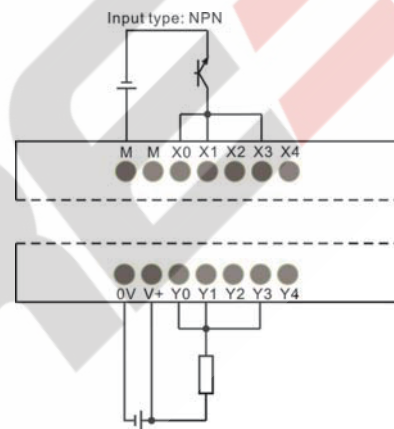
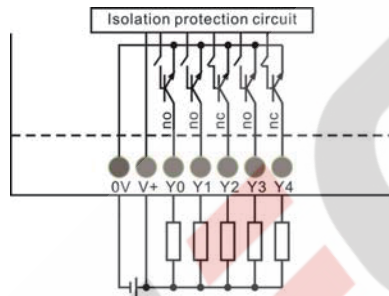
GCM-5A10N32 (3 channels NO & 2 channels NC)

Connections

Input



Output



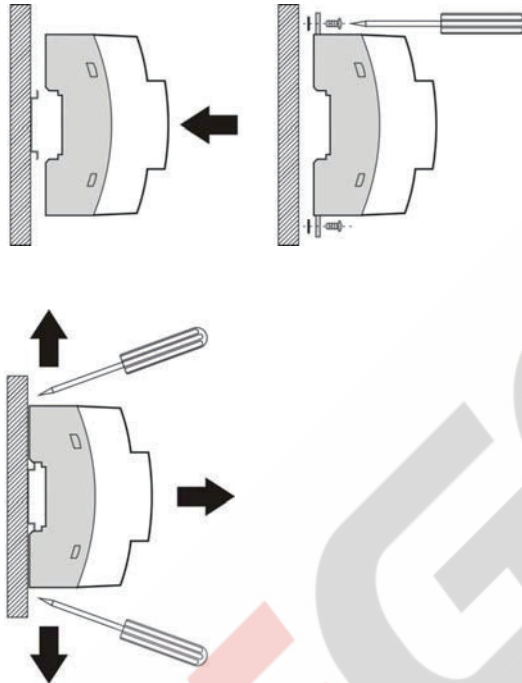
Channels are paralleled to extend the capacity of load current



CAUTION: Keep power OFF while connecting!

GCM-5A10N32 (3 channels NO & 2 channels NC)

Mounting on DIN rails



Assembly

To mount on an EN DIN rail, snap the device straight onto the DIN rail.

If the module is to be fastened directly onto an even surface, press the base latch upward and down. Place a washer between the pulled-out base latch and the even surface (max. outer diameter 8.5 mm, max. thickness 1.3 mm). Then fasten the device with two screws (max. thread diameter 4 mm, max. head diameter 8.5 mm).

To dismantle from the EN DIN rail, press the base latch outward and pull the device off of the DIN rail.

In the case of wall mounting, loosen the screws and press the base latch inwards again.

Installation position

