

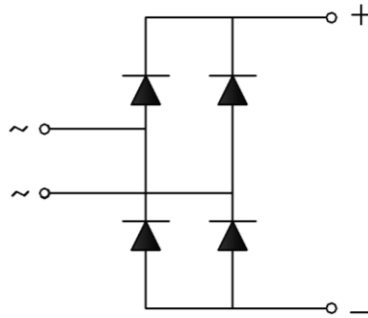
**Product Features**

- International standard package
- Low forward voltage drop
- Isolation voltage 2000V

**Applications**

- DC power suppliers for apparatus device
- Input rectifying power supply for PWM converters
- Inverter welders

**Maximum Values**



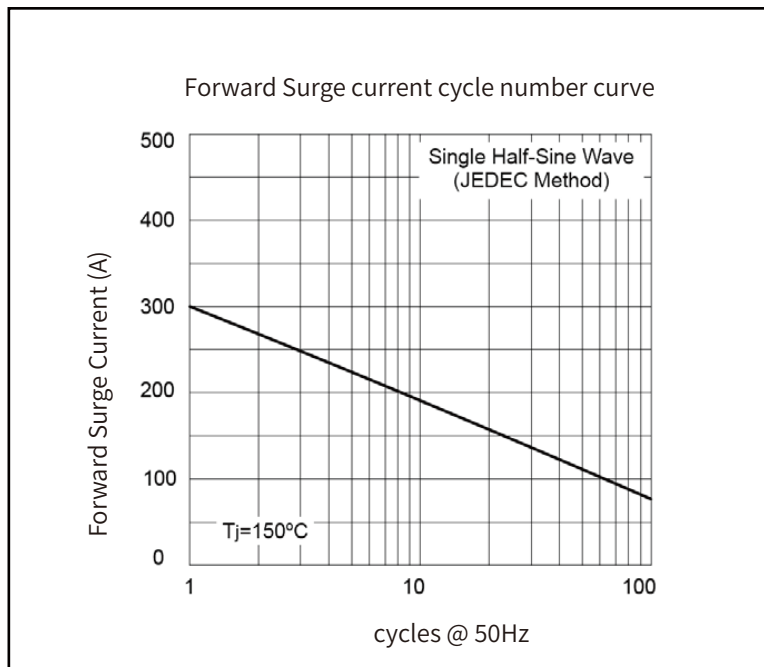
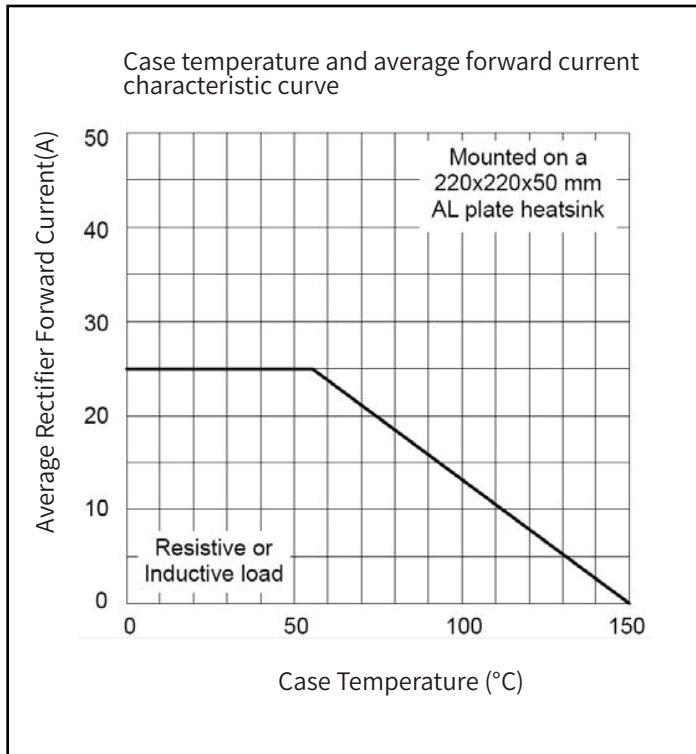
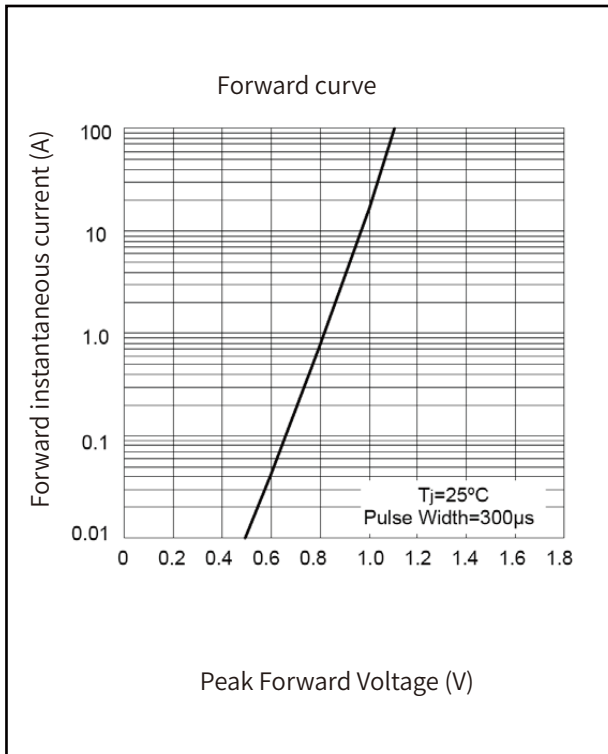
Symbol	Parameter	Rating			Unit
		QL2502	QL2506	QL2510	
$V_{RRM}$	Peak reverse repetitive voltage	200	600	1000	V
$V_{RSM}$	Peak reverse nonrepetitive voltage	300	700	1100	V

Symbol	Parameter	Test condition	Rating	Unit
$I_{F(AV)}$	Mean on-state current	180° half sine wave 50Hz, One side heat radiation, $T_C:55^{\circ}C$	25	A
$I_{FSM}$	Forward surge current	$t=10ms, 50Hz, sin, T_{jm}$	300	A
$I^2t$	$I^2t$ value	$V_R=0.6V_{RRM}, T_{jm}$	374	$A^2S$
$V_{ISO}$	Isolation voltage		2000	V
$T_j$	Operating junction temperature	50Hz, R.M.S, $t=1min, I_{iso}=1mA(max)$	-40 to +150	$^{\circ}C$
$T_{jm}$	Rated junction temperature		150	$^{\circ}C$
$T_{stg}$	Storage temperature		-40 to +150	$^{\circ}C$
$M_d$	Mounting torque (copper plate M5)		2	$N \cdot M$
$W_t$	Weight		52	g

**Electrical characteristics**

Symbol	Parameter	Test condition	Rating	Unit
$I_{RRM}$	Peak reverse repetitive current	$V_R=V_{RRM}, sine\ half\ T_j=25^{\circ}C$	5	$\mu A$
		$V_R=V_{RRM}, sine\ half\ T_j=150^{\circ}C$	3	mA
$V_{FM}$	Peak forward voltage	$I_{FM}=12.5A, T_j=25^{\circ}C$	1.1	V
$R_{th(j-c)}$	Thermal impedance (junctioncase)	Singlesided heat dissipation	1.9	$^{\circ}C/W$

**Performance Curves**



**Dimension**

03

