

GN24-12 MV Disconnect Switch 12KV 630A

The GN24-12 model **indoor medium voltage disconnect switch** is suitable for power systems with a rated voltage of 12KV and AC 50Hz. It is used to connect and disconnect circuits under no-load conditions. This series of disconnect switches also includes pollution abatement type, high altitude type, and electrified display type.

This series of disconnect switches is a three-pole type, consisting of a chassis, a shaft, a lever, a porcelain pillar insulator, a knife, and a terminal board. The shaft is mounted on the base frame, with three pairs of levers welded onto the shaft. The lever is made of a porcelain insulator and a knife. The shaft protrudes from the base frame and can be connected to any operating mechanism.

Working Environment

Altitude: 1000m to 3000m

Ambient temperature: -30°C to 40°C

Relative humidity of air: monthly average <90%, daily average ≤95%

Wind pressure: <700 Pa (wind speed 34 m/s)

Seismic intensity: 8 degrees

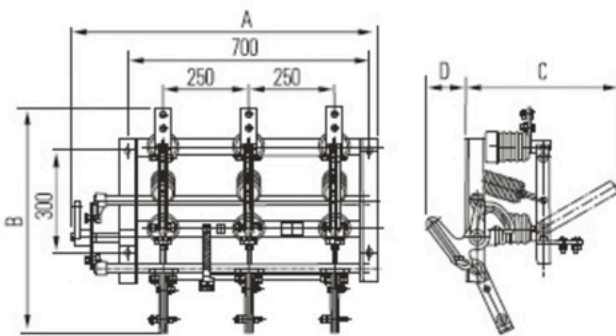
Environmental degree: degree III

It cannot be used in conditions with fire and explosion hazards, heavy pollution, chemical corrosion, strong vibrations, etc.

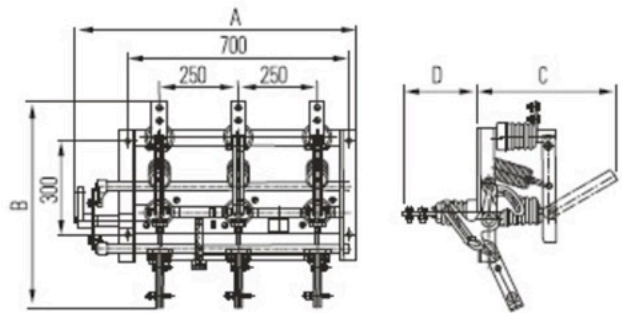
Description	Unit	Parameter								
Rated Voltage	KV	12								
1 min power frequency withstand voltage	To ground	KV	42							
	Eracture	KV	48							
Lightning impulse withstand voltage (peak)	To ground	KV	75							
	Eracture	KV	85							
Rated frequency	Hz	50								
Rated current	A	400	630	1000	1250					
Rated short-time withstand current	KA	16	20	16	20	25	20	25	31.5	
Rated peak withstand current	KA	40	50	40	50	63	50	63	80	
Rated short-time withstand current duration main knife /ground knife	s	4/2								
Creepage distance	mm	300~380								
Mechanical life	Times	2000								

Dimensions

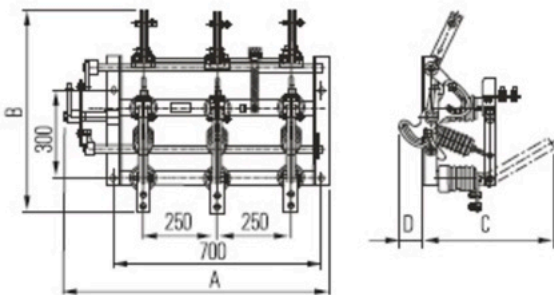
Item	400A		630A		1000A				1250A				Installation hole dimensions
	A	B	C	D	A	B	C	D	A	B	C	D	
GN24-12D I	890	660	450	125	890	690	480	125	890	700	500	125	700 × 300
GN24-12D II	890	660	450	125	890	690	480	125	890	700	500	125	
GN24-12D I	890	660	450	240	890	690	480	350	890	700	500	350	
GN24-12D II C	890	660	450	240	890	690	480	350	890	700	500	350	
GN24-12D I	920	780	450	125	920	790	480	125	920	790	500	125	
GN24-12D II C	920	780	450	240	920	790	480	350	920	790	500	350	



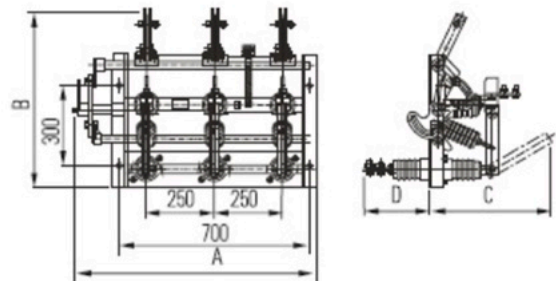
GN24-12D I type



GN24-12DC I type



GN24-12D II type



GN24-12DC II type

